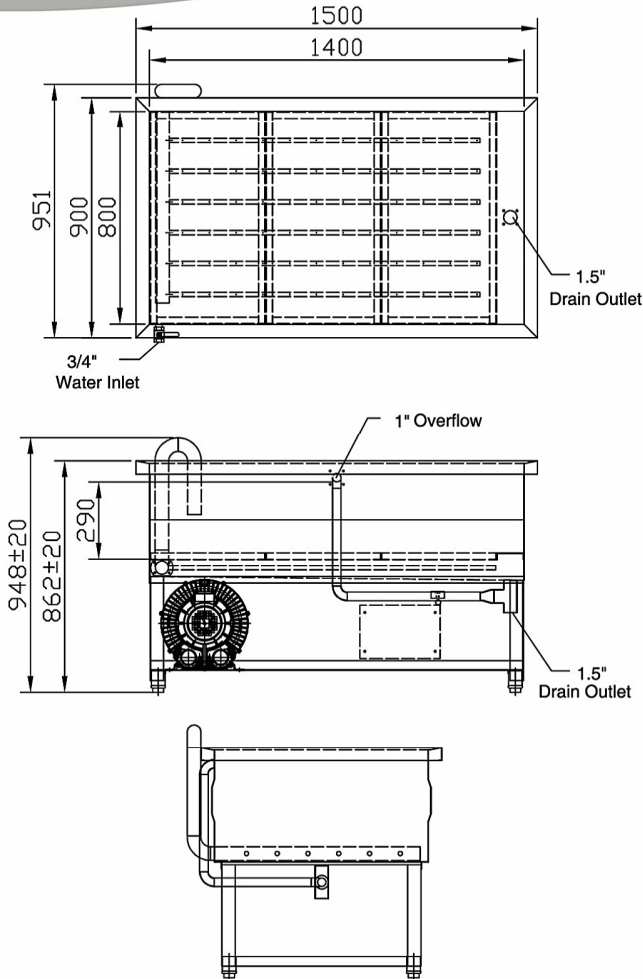


SPA2 – Power Soaking Tank



Features

- Machine structure is made of SUS304/QN1803 stainless steel
- Equipped with blower motor to create SPA function
- Waste collector
- Equipped with electrical control panel
- Stainless steel adjustable bullet feet
- With accessible drainage valves, the tank contents can be easily emptied into a nearby floor drain
- Removable strainer plates

SPA2

Model

Dimension
Effective Soaking Area

VT-SPA2-2000
2000*900*860mmH
1900*800mm

VT-SPA2-1800
1800*900*860mmH
1700*800mm

VT-SPA2-1500
1500*900*860mmH
1400*800mm

For All 3 Models

Effective Depth of Immersion 290mm
Blower Motor 1.3KW
Power (No Heater) 230V/50Hz/1ph 1.3kW
Power (With Heater) 415V/50Hz/3ph 19.3kW
Weight ±150kgs
Inlet Pipe 3/4"
Discharge 2"

Optional: Heater 18kW