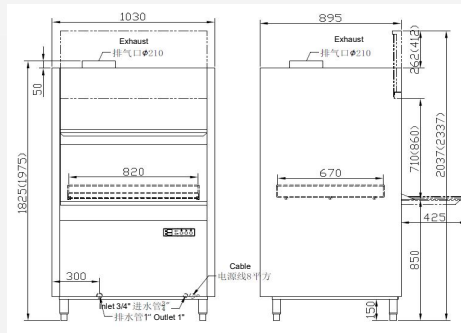
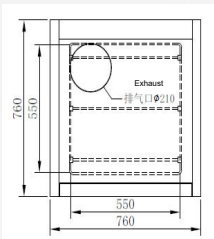
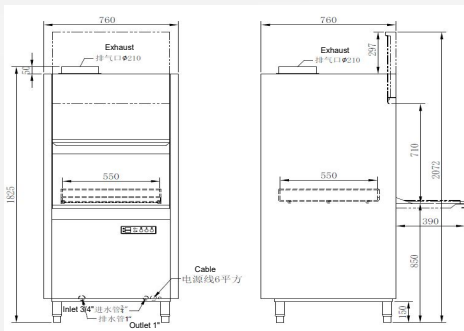
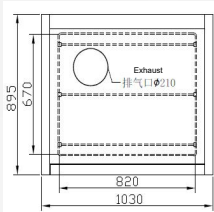


VT-UW



VT-UW1



Pot Washer



Model	VT-UW	VT-UW1
Dimension	760*760*1840mm	1030*895*1853(2003*)mm
Door Opening Height	2072mm	2037(2337*)mm
Loading Dimension	570*660mm	840*710(860*)mm
Max Washing Height	660mm	660(810*)mm
Tank Capacity	45L	95L
Booster Tank Capacity	16L	16L
Water Consumption	2.7L/racks	3.6L/racks
Wash Pump Power	2.4kW	4kW
Wash Tank Heater	3kW	4.5kW
Booster Heater	9kW	9kW
Rinse Pump Power	0.15kW	0.15kW
Capacity	10~30rack/hr	10~30rack/hr
Rack Size	550*550mm	820*670mm
Power Supply	400V/50Hz/3ph	400V/50Hz/3ph
Electrical Loading	14.6kW/25.3AMP	17.7kW/31.5AMP
Circuit Breaker	40A	60A
Cable	6mm ²	8mm ²
Water Pressure	≥ 0.5kg/cm ²	≥ 0.5kg/cm ²
Exhaust Pipe	Ø175mm	Ø175mm
Inlet	3/4"	3/4"
Outlet	1 1/2"	1 1/2"
Net Weight	128kg	268kg

Features

- High efficiency wash pump motor 2 IP55/2.4kW(2 IP55/4.0kW, Model VT-UW1) comply with SUS304 stainless steel pump body and impeller; special nozzle design wide angle water jet type that perform a great washing result with 1~2kg (VT-UW), 5~6kg(VT-UW1) washing pressure, enhance washing quality.
- High efficiency exhaust ventilation design enable the objects more dry
- Double layer door to prevent heat loss, energy saving and reduce noise
- Special surround type high temperature washing and cleaning pulley frame design.
- Temperature reaches 60° C ~ 70° C, the rinse temperature reaches 85° C
- Whole machine is made of SUS304 stainless steel for durability, compliance with hygiene and anti-rot

*Optional Additional Height : 150mm

