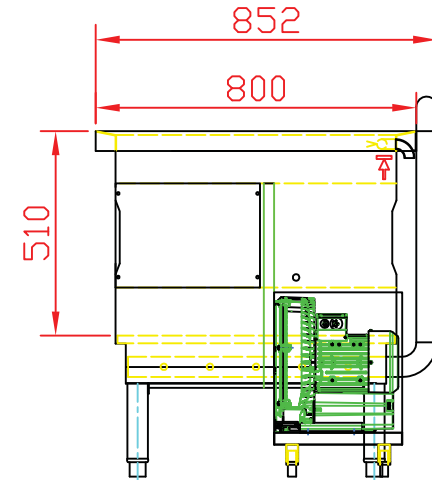
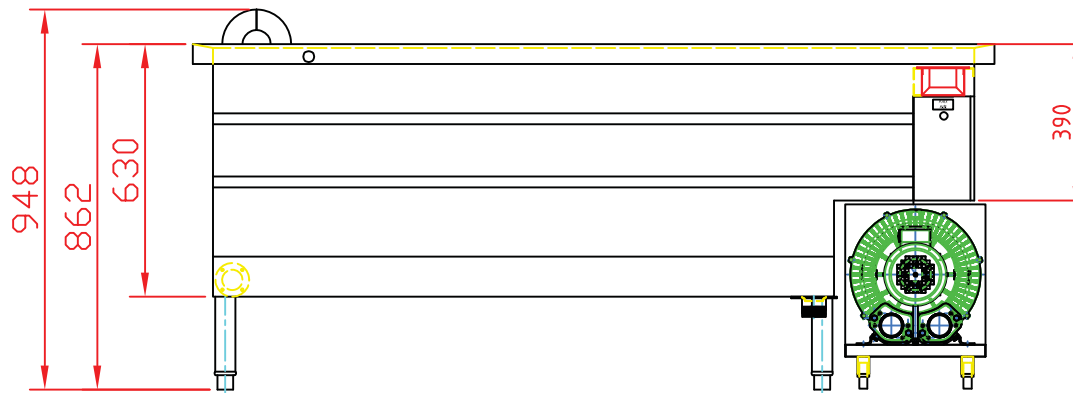


Technical Data :

- 1.Dimension : 2000x852x948mm
- 2.Power Supply : 1ph 220v 50hz 1.3kW
- 3.Blower 1.3kW
- 4.Water Inlet 3/4"
- 5.Drain 2"



DRAWN 绘制	20.08.03	TITLE:	
CHK'D 校对		VT-SPA2-2000-NO HEATER	
APPV'D		DWG NO. 图号 SPA Soaking Tank (No Heater)	
MFG		MATERIAL 材料:	A4
Q.A		MATERIAL 材料:	
WEIGHT 重量		SCALE 比例	1:10
		SHEET 页次	1 OF 1