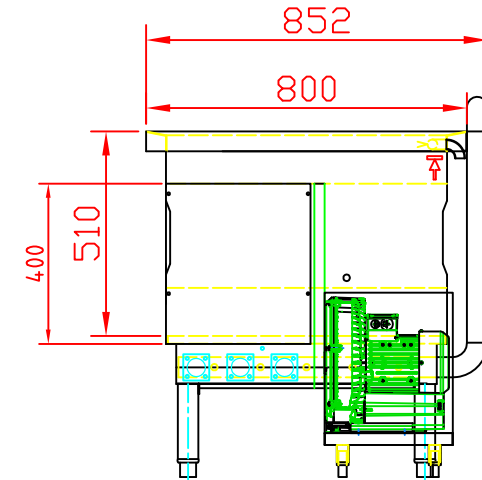
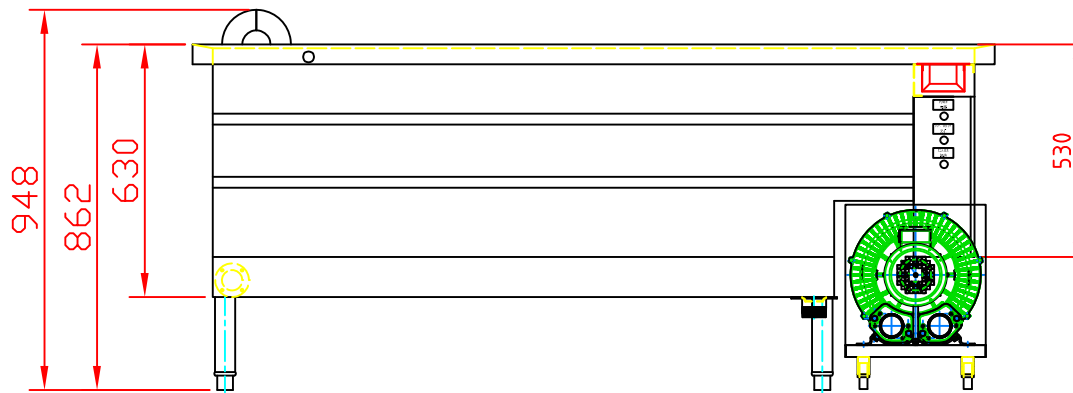


Technical Data :

- 1.Dimension : 2000x852x948mm
- 2.Power Supply : 3ph 380v 50hz 19.3kW
- 3.Blower 1.3kW
- 4.Heating Power 18kW
- 5.Water Inlet 3/4"
- 6.Drain 2"



DRAWN 绘制	20.08.03	TITLE: VT-SPA2-2000	
CHK'D 校对		DWG NO. 图号 SPA Power Soaking Tank	
APPV'D			
MFG		MATERIAL 材料	A4
Q.A			
WEIGHT 重量		SCALE 比例 1:10	SHEET 页次 1 OF 1